

## **FUNCTION IN FIRE EXPERT JUDGEMENT REPORT WITH CLASSIFICATION IN FIRES-JR-055-16-NURE**

---

**Cable bearing system VERGOKAN with cables DÄTWYLER and PRYSMIAN**

This is an electronic version of a classification report which was made as a copy of classification report officially issued in a paper form. The electronic version of a classification report shall be used only for informative purpose. Any information listed in this classification report is the property of the sponsor and shall not be used or published without written permission. Contents of this file may only be modified by the editor i.e. FIRES, s.r.o., Batizovce. Sponsor is allowed to publish this classification report in parts only with written permission of the editor.

# FUNCTION IN FIRE EXPERT JUDGEMENT REPORT WITH CLASSIFICATION IN ACCORDANCE WITH STN 92 0205

**FIRES-JR-055-16-NURE**

**Name of the product:** Cable bearing system VERGOKAN with cables DÄTWYLER and PRYSMIAN

**Sponsor:** VERGOKAN  
Meersbloem Melden 16  
9700 Oudenaarde  
Belgium

**Prepared by:** FIRES, s.r.o.  
Approved Body No. SK01  
Osloboditeľov 282  
059 35 Batizovce  
Slovak Republic

**Task No.:** PR-16-0102

**Date of issue:** 14. 06. 2016

Reports: 3  
Copy No.: 2

**Distribution list:**

Copy No. 1	FIRES, s. r. o., Osloboditeľov 282, 059 35 Batizovce, Slovak Republic (electronic version)
Copy No. 2	VERGOKAN, Meersbloem Melden 16, 9700 Oudenaarde, Belgium (electronic version)
Copy No. 3	VERGOKAN, Meersbloem Melden 16, 9700 Oudenaarde, Belgium

This expert judgement report consists of 8 pages and 13 annexes and may only be used or reproduced in its entirety.



## 1. INTRODUCTION

This expert judgement report with classification defines the function in fire classification assigned to element: cable bearing system VERGOKAN with cables DÄTWYLER and PRYSMIAN in accordance with the classes given in STN 92 0205:2014.

This expert judgement report defines field of application which is outside the field of direct application according test standard or outside the field of extended application according to relevant extended application standard. This expert judgement expresses the opinion of the FIRES and is based on the experience or internal rules of FIRES.

This products have already been classified by FIRES, s.r.o. and number of previous fire resistance expert judgement report with classification is FIRES-JR-051-11-NURE Issue 2, issued on 14. 12. 2011 with validity until 31. 08. 2016. Document FIRES-JR-055-16-NURE replaces expert judgement report with classification FIRES-JR-051-11-NURE Issue 2.

## 2. DETAILS OF CLASSIFIED PRODUCT

### 2.1 GENERAL

The element, Cable bearing system VERGOKAN with cables DÄTWYLER and PRYSMIAN, is defined as a cable bearing system for power and communication halogen free cables with circuit integrity maintenance in fire.

### 2.2 PRODUCT DESCRIPTION

The element comprise of cable bearing system VERGOKAN – cable trays with accessories (consoles, brackets, screws etc.) with power and communication halogen free cables DÄTWYLER and PRYSMIAN with circuit integrity maintenance in fire.

#### **Cable trays KBSI**

Cable trays are made of steel sheet 0,75 mm thick. Height of side wall is 60 mm. Width of tray is 300 mm. The trays are perforated on the sides and on the bottom. Cable tray is equipped with integrated junction. Trays are jointed together with 5 pcs of screws VMK 6x10 (new trademark is VMK6.10). Maximum load of trays is 20 kg.m<sup>-1</sup>. Tested trays were KBSI 60x300x0,75 (new trademark is KBSI60.300.075).

#### **Brackets WKM**

Brackets are made of steel sheet 2,5 mm thick. Dimensions of the base steel sheet is (70x175) mm and 8,0 mm thick and is equipped by holes for installation. Holes for installation of trays are in upper part of the brackets.

Tested brackets were WKM 300 (new trademark is HDWKM300).

#### **Consoles HSMU**

Consoles are made from steel sheet and are composed of a head plate and the U 50 profile. Dimensions of the base head is (123x123) mm and 4,0 mm thick or (135x135) mm and 5,0 mm thick and is equipped by holes for installation. Dimensions of the U profile is (50x50) mm and 2,5 mm thick and is equipped by holes for installation of brackets. Tested consoles were HSMU 50x1000 (new trademark is HDHSMU50.1000).

#### **SPACER TSU50 and HDTSU50**

Spacers are made of steel sheet 1,0 mm thick (TSU50) or 1,5 mm thick (HDTSU50).

#### **Cables**

Power and communication free halogen cables are specified for stationary distribution of electrical energy in dry and damp premises. Since they are free from halogens and exhibit enhanced fire performance, these cables are used in those applications where in the event of fire, the negative effect on concentrations of people and valuable material goods must be minimized. Suitable for hotels, hospitals, underground railways, airport etc. to protect people and technical building equipment in the event of fire where there is requirement for maintaining the functional integrity all cable installation in the event of fire. The cables develop in case of fire low heat released rate and smoke and no burning particles drop away



during fire accident. Functional integrity all cable installation in the event of fire is guaranteed only with use specified supporting member and cables grips.

#### Used cables by test:

DÄTWYLER cables (producer Dätwyler AG, Gotthardstrasse 31, CH-6460 Altdorf, Switzerland):

- cable (N)HXH FE180 E30-E60 4x50 RM (2x);
- cable (N)HXH FE180 E30-E60 4x1,5 RE (2x);
- cable (N)HXCH FE180 E30-E60 4x50 RM/25 (2x);
- cable (N)HXCH FE180 E30-E60 4x1,5 RE/1,5 (2x);
- cable (N)HXH FE180 E90 4x50 RM (2x);
- cable (N)HXH FE180 E90 4x1,5 RE (2x);
- cable (N)HXCH FE180 E90 4x50 RM/25 (2x);
- cable (N)HXCH FE180 E90 4x2,5 RE/2,5 (2x);
- cable JE-H(St)H...Bd FE180 E30-E90 2x2x0,8 (2x);
- cable JE-H(St)HRH...Bd FE180 E30-E90 2x2x0,8 (2x).

PRYSMIAN cables (producer Prysmian, Viale Sarca 222, IT-20126 Milano, Italy):

- cable (N)HXH-J E30 4x50 RM (2x);
- cable (N)HXH-J E30 4x1,5 R (2x);
- cable (N)HXCH E30 4x50 RM/25 (2x);
- cable (N)HXCH E30 4x1,5 RE/1,5 (2x);
- cable (N)HXHX-J E90 4x50 RM (2x);
- cable (N)HXHX-J E90 4x1,5 RE (2x);
- cable (N)HXCHX E90 4x50 RM/25 (2x);
- cable (N)HXCHX E90 4x2,5 RE/2,5 (2x);
- cable JE-H(St)H E30 2x2x0,8 (2x).

The length of supporting constructions and cables was 5,5 m, 4 m from that was exposed to fire. Power and communication cables were fixed to the steel sheet trays in the points of allowed bending radius by steel clamps according to the cable diameter.

More detailed information about product construction is shown in the drawings which form an integral part of test report [1]. Drawings were delivered by sponsor.

### 3. TEST REPORTS AND EXTENDED APPLICATION REPORTS IN SUPPORT OF CLASSIFICATION

#### 3.1 TEST REPORTS AND EXTENDED APPLICATION REPORTS

No.	Name of laboratory	Name of sponsors	Test report No.	Date of the test	Test method
[1]	FIRES, s.r.o., Batizovce, SK	VERGOKAN, Meersbloem Melden 16, 9700 Oudenaarde, Belgium	FIRES-FR- 171-11-AUNE	17. 08. 2011	DIN 4102 – 12:1998-11

#### 3.2 TEST RESULTS

Test report No. /Test method	Specimen No.	Cables	Track No.	Time to first failure / interruption of conductor
[1] DIN 4102-12	S1	cable (N)HXCH FE180 E30-E60 4x50 RM/25 - Dätwyler	W1 - A	93 minutes no failure / interruption
	S2	cable (N)HXCH FE180 E30-E60 4x50 RM/25 - Dätwyler	W1 - A	92 minutes
	S3	cable (N)HXCH FE180 E90 4x50 RM/25 - Dätwyler	W1 - B	93 minutes no failure / interruption
	S4	cable (N)HXCH FE180 E90 4x50 RM/25 - Dätwyler	W1 - B	93 minutes no failure / interruption
	S5	cable (N)HXH FE180 E90 4x50 RM - Dätwyler	W1 - C	93 minutes no failure / interruption
	S6	cable (N)HXH FE180 E90 4x50 RM - Dätwyler	W1 - C	93 minutes no failure / interruption
	S7	cable (N)HXH FE180 E30-E60 4x50 RM - Dätwyler	X1 - D	87 minutes



Test report No. /Test method	Specimen No.	Cables	Track No.	Time to first failure / interruption of conductor
[1] DIN 4102-12	S8	cable (N)HXH FE180 E30-E60 4x50 RM - Dätwyler	X1 - D	74 minutes
	S9	cable (N)HXCH FE180 E30-E60 4x1,5 RE/1,5 - Dätwyler	X1 - E	93 minutes no failure / interruption
	S10	cable (N)HXCH FE180 E30-E60 4x1,5 RE/1,5 - Dätwyler	X1 - E	93 minutes no failure / interruption
	S11	cable (N)HXH FE180 E30-E60 4x1,5 RE - Dätwyler	X1 - E	93 minutes no failure / interruption
	S12	cable (N)HXH FE180 E30-E60 4x1,5 RE - Dätwyler	X1 - E	93 minutes no failure / interruption
	S13	cable (N)HXCH FE180 E90 4x2,5 RE/2,5 - Dätwyler	X1 - F	93 minutes no failure / interruption
	S14	cable (N)HXCH FE180 E90 4x2,5 RE/2,5 - Dätwyler	X1 - F	93 minutes no failure / interruption
	S15	cable (N)HXH FE180 E90 4x1,5 RE - Dätwyler	X1 - F	93 minutes no failure / interruption
	S16	cable (N)HXH FE180 E90 4x1,5 RE - Dätwyler	X1 - F	93 minutes no failure / interruption
	S17	cable (N)HXH-J E30 4x50 RM - Prysmian	Y1 - G	83 minutes
	S18	cable (N)HXH-J E30 4x50 RM - Prysmian	Y1 - G	91 minutes
	S19	cable (N)HXH-J E30 4x1,5 RE - Prysmian	Y1 - H	73 minutes
	S20	cable (N)HXH-J E30 4x1,5 RE - Prysmian	Y1 - H	84 minutes
	S21	cable (N)HXCH E30 4x1,5 RE/1,5 - Prysmian	Y1 - H	87 minutes
	S22	cable (N)HXCH E30 4x1,5 RE/1,5 - Prysmian	Y1 - H	81 minutes
	S23	cable (N)HXHX-J E90 4x1,5 RE - Prysmian	Y1 - I	93 minutes no failure / interruption
	S24	cable (N)HXHX-J E90 4x1,5 RE - Prysmian	Y1 - I	93 minutes no failure / interruption
	S25	cable (N)HXCHX E90 4x2,5 RE/2,5 - Prysmian	Y1 - I	93 minutes no failure / interruption
	S26	cable (N)HXCHX E90 4x2,5 RE/2,5 - Prysmian	Y1 - I	93 minutes no failure / interruption
	S27	cable (N)HXCH E30 4x50 RM/25 - Prysmian	Z1 - J	78 minutes
	S28	cable (N)HXCH E30 4x50 RM/25 - Prysmian	Z1 - J	90 minutes
	S29	cable (N)HXHX-J E90 4x50 RM - Prysmian	Z1 - K	93 minutes no failure / interruption
	S30	cable (N)HXHX-J E90 4x50 RM - Prysmian	Z1 - K	69 minutes
	S31	cable (N)HXCHX E90 4x50 RM/25 - Prysmian	Z1 - L	93 minutes no failure / interruption
	S32	cable (N)HXCHX E90 4x50 RM/25 - Prysmian	Z1 - L	93 minutes no failure / interruption
	S52	cable JE-H(St)HRH...Bd FE180 E30-E90 2x2x0,8 -Dätwyler	W1 - A	29 minutes
	S53	cable JE-H(St)HRH...Bd FE180 E30-E90 2x2x0,8 -Dätwyler	W1 - B	25 minutes
	S54	cable JE-H(St)H...Bd FE180 E30-E90 2x2x0,8 - Dätwyler	W1 - C	25 minutes
	S55	cable JE-H(St)H...Bd FE180 E30-E90 2x2x0,8 - Dätwyler	X1 - D	33 minutes
	S56	cable JE-H(St)H E30 2x2x0,8 - Prysmian	Y1 - G	61 minutes
	S57	cable JE-H(St)H E30 2x2x0,8 - Prysmian	Z1 - J	66 minutes

[1] The fire test was discontinued in 94<sup>th</sup> minute at the request of test sponsor.

Specimens S1 – S32 were tested by three-phase voltage supply 3 x 230/400V with bulbs 240V / 60 W. Specimens S52 – S57 were tested by one-phase voltage supply 1 x 110V with LED diodes 3V /0,03W. Circuit breakers with rating 3 A and performance characteristics B(gL) were used.



#### 4. CLASSIFICATION AND FIELD OF APPLICATION

##### 4.1 CLASSIFICATION ACCORDING TO STN 92 0205:2014

The element, cable bearing system VERGOKAN – cable trays with accessories (consoles, brackets, screws etc.) with power and communication halogen free cables DÄTWYLER and PRYSMIAN with circuit integrity maintenance in fire is classified according to the following combinations of performance parameters and classes as appropriate.

Cables DÄTWYLER used by the test are classified as follows:

Cable	Type of tested cable, single cross-sections and number of conductors	Arrangement	Classification for type of tested cable (by cross-sections and number of conductors)	Classification for cable
(N)HXH FE180 E30-E60	(N)HXH FE180 E30-E60 4x1,5 RE	In cable trays KBSI60.300.075. Ceiling consoles HDHSMU50.1000 wits brackets HDWKM300. Loading 20 kg.m <sup>-1</sup> .	<b>PS 90</b>	n x ≥ 1,5 mm <sup>2</sup> n ≥ 2 <b>PS 60</b>
	(N)HXH FE180 E30-E60 4x50 RM	Consoles in spacing of 1500 mm. Non-standard track X1-D and X1-E.	<b>PS 60</b>	
(N)HXCH FE180 E30-E60	(N)HXCH FE180 E30-E60 4x1,5 RE/1,5	In cable trays KBSI60.300.075. Ceiling consoles HDHSMU50.1000 wits brackets HDWKM300. Loading 20 kg.m <sup>-1</sup> .	<b>PS 90</b>	n x ≥ 1,5/1,5 mm <sup>2</sup> n ≥ 2 <b>PS 90</b>
	(N)HXCH FE180 E30-E60 4x50 RM/25	Consoles in spacing of 1500 mm. Non-standard track W1-A and X1-E.	<b>PS 90</b>	
JE-H(St)HRH... Bd FE180 E30-E90	JE-H(St)HRH...Bd FE180 E30-E90 2x2x0,8	Non-standard track W1-A and W1-B.	<b>PS 15</b>	n x 2 x ≥ 0,8 mm n ≥ 2 <b>PS 15</b>
(N)HXH FE180 E90	(N)HXH FE180 E90 4x1,5 RE	In cable trays KBSI60.300.075. Ceiling consoles HDHSMU50.1000 wits brackets HDWKM300. Loading 20 kg.m <sup>-1</sup> .	<b>PS 90</b>	n x ≥ 1,5 mm <sup>2</sup> n ≥ 2 <b>PS 90</b>
	(N)HXH FE180 E90 4x50 RM	Consoles in spacing of 1500 mm. Non-standard track W1-C and X1-F.	<b>PS 90</b>	
JE-H(St)H... Bd FE180 E30-E90	JE-H(St)H...Bd FE180 E30-E90 2x2x0,8	Non-standard track W1-C and X1-D.	<b>PS 15</b>	n x 2 x ≥ 0,8 mm n ≥ 2 <b>PS 15</b>
(N)HXCH FE180 E90	(N)HXCH FE180 E90 4x2,5 RE/2,5	In cable trays KBSI60.300.075. Ceiling consoles HDHSMU50.1000 wits brackets HDWKM300. Loading 20 kg.m <sup>-1</sup> .	<b>PS 90</b>	n x ≥ 2,5/2,5 mm <sup>2</sup> n ≥ 2 <b>PS 90</b>
	(N)HXCH FE180 E90 4x50 RM/25	Consoles in spacing of 1500 mm. Non-standard track W1-B and X1-F.	<b>PS 90</b>	



Cables PRYSMIAN used by the test are classified as follows:

Cable	Type of tested cable, single cross-sections and number of conductors	Arrangement	Classification for type of tested cable (by cross-sections and number of conductors)	Classification for cable
(N)HXH E30	(N)HXH-J E30 4x1,5 RE	In cable trays KBSI60.300.075. Ceiling consoles HDHSMU50.1000 wits brackets HDWKM300. Loading 20 kg.m <sup>-1</sup> . Consoles in spacing of 1500 mm. Non-standard track Y1-G and Y1-H.	PS 60	n x ≥ 1,5 mm <sup>2</sup> n ≥ 2 PS 60
	(N)HXH-J E30 4x50 RM		PS 60	
JE-H(St)H E30	JE-H(St)H E30 2x2x0,8	Non-standard track Y1-G and Z1-J.	PS 60	n x 2 x ≥ 0,8 mm n ≥ 2 PS 60
(N)HXCH E30	(N)HXCH E30 4x1,5 RE/1,5	In cable trays KBSI60.300.075. Ceiling consoles HDHSMU50.1000 wits brackets HDWKM300. Loading 20 kg.m <sup>-1</sup> . Consoles in spacing of 1500 mm. Non-standard track Y1-H and Z1-J.	PS 60	n x ≥ 1,5/1,5 mm <sup>2</sup> n ≥ 2 PS 60
	(N)HXCH E30 4x50 RM/25		PS 60	
(N)HXHX E90	(N)HXHX-J E90 4x1,5 RE	In cable trays KBSI60.300.075. Ceiling consoles HDHSMU50.1000 wits brackets HDWKM300. Loading 20 kg.m <sup>-1</sup> . Consoles in spacing of 1500 mm. Non-standard track Y1-I and Z1-K.	PS 90	n x ≥ 1,5 mm <sup>2</sup> n ≥ 2 PS 60
	(N)HXHX-J E90 4x50 RM		PS 60	
(N)HXCHX E90	(N)HXCHX E90 4x2,5 RE/2,5	In cable trays KBSI60.300.075. Ceiling consoles HDHSMU50.1000 wits brackets HDWKM300. Loading 20 kg.m <sup>-1</sup> . Consoles in spacing of 1500 mm. Non-standard track Y1-I and Z1-L.	PS 90	n x ≥ 2,5/2,5 mm <sup>2</sup> n ≥ 2 PS 90
	(N)HXCHX E90 4x50 RM/25		PS 90	

The element, cable bearing system VERGOKAN – cable trays with accessories (consoles, brackets, screws etc.) with power and communication halogen free cables DÄTWYLER and PRYSMIAN with circuit integrity maintenance in fire are classified to classes according to achieved test results of tested cables at tracks. Other classification is not allowed.



## 4.2 FIELD OF APPLICATION

This classification is valid for the following end use applications:

- **test results are applicable only for tested bearing systems VERGOKAN with cables DÄTWYLER and PRYSMIAN;**
- condition for the validity of direct application of the test results is that the supporting and fixing structure is fixed only to the building structure, which allows the statically required time of fire resistance, i.e. fulfils the criterion R;
- throughout the period during which circuit integrity is to be maintained, neighbouring building components shall not have a negative effect on circuit integrity;
- although testing is only carried out on cables arranged horizontally, test results also apply to cables arranged either diagonally or vertically (e.g. risers), as long as the cable system is supported in transitional areas (i.e. where it switches from a horizontal to a vertical arrangement) in such a manner that the cables will not slip or kink at corners;
- test results of cables tested in cable trays are applicable also for cable trays with cover ensured against movement by appropriate means;
- classification for type of cable (by cross-sections and number of conductors) is valid only for tested cable types, number and cross-sections of conductors;
- classification for cable is valid for all numbers and cross-sections of tested cable type;
- test results of function in fire test of cables tested at standard supporting construction are also applicable for tested standard supporting construction of other producers;
- test results of function in fire test of cables tested at standard supporting construction are also applicable for cables of other producers tested at standard supporting construction;
- test results of function in fire test of cables at nonstandard supporting construction are valid only for tested construction with particular tested cable type and are also applicable for supporting construction with smaller spacing of consoles and smaller loading;
- test results of cables tested in cable trays or ladders are applicable also for cable trays and ladders with particular construction with smaller width as tested with particular smaller loading;
- test results of cables tested in bearing system made from steel acc. to STN EN 61537 are applicable also for bearing system made from stainless steel, but not conversely;
- test results of cables with five or four conductors are applicable also for cables with less number of conductors apart from cables with one conductor;
- if only cables with the smallest or largest cross-section achieve the required function in fire classification, the test results are valid only for the particular cross-section and way of installation
- test results of communication cables are applicable also for all numbers and cross-sections of conductors bigger than tested cable type;
- test results of cables at ladders or in trays attached at ceiling are applicable also for cables placed in bearing system fixed to wall;
- test results of cables tested at cable trays or ladders are applicable also for another products trays and ladders (cross, elbow, T-bend, bends and etc.);
- test results of cables tested at cable trays or ladders are applicable also for bearing system with surface treatment (colour paint) with maximum thickness 1 mm;
- test result is applicable to cable without connecting elements (e.g. sleeves and junction boxes);
- **test result is applicable to welded head plate to steel U-shaped ceiling profiles;**
- **heavy joined steel brackets WKM... shall be fixed to steel U-shaped ceiling profiles HSMU from one or from two sides, providing the maximum loading of U-shaped ceiling profiles is not more than during the fire test and only if sufficient type of fixation of the head plates to ceiling is provided;**
- **use the new type of spacer TSU50 instead of spacer HDTSU50;**
- **change the construction of tested console (base of console) type HDHSMU in accordance with drawings in annex.**





## 5. LIMITATIONS

Load-bearing construction elements for fixing of cable systems must be proved for at least the same fire resistance compare to classified function in fire of cable system.

The construction contractor is solely responsible for proper preparation.

This classification document does not represent type approval or certification of the product.

The classification is valid until 14. 06. 2021 provided that the product, field of application and standards and regulations are not changed.

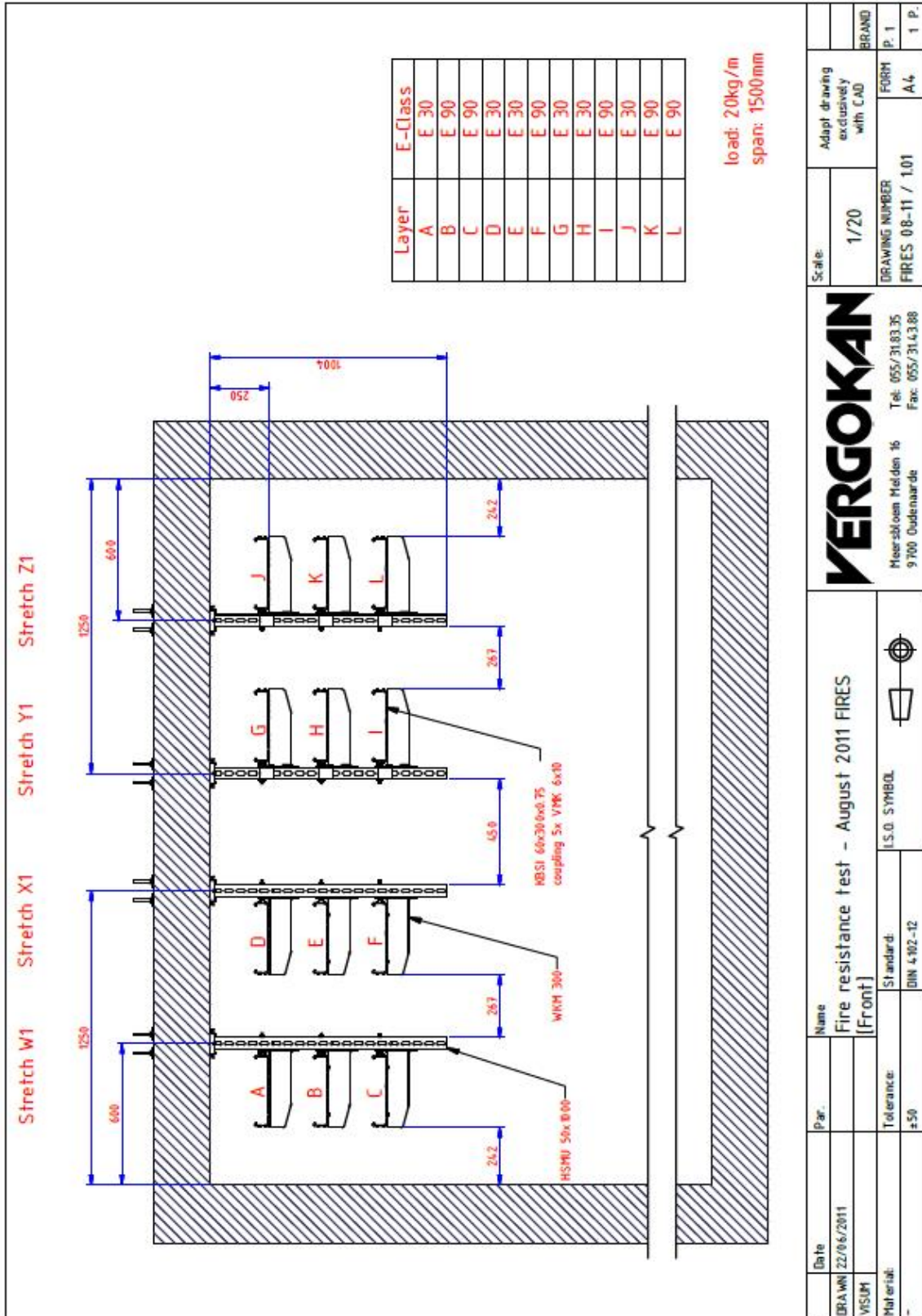
Approved:

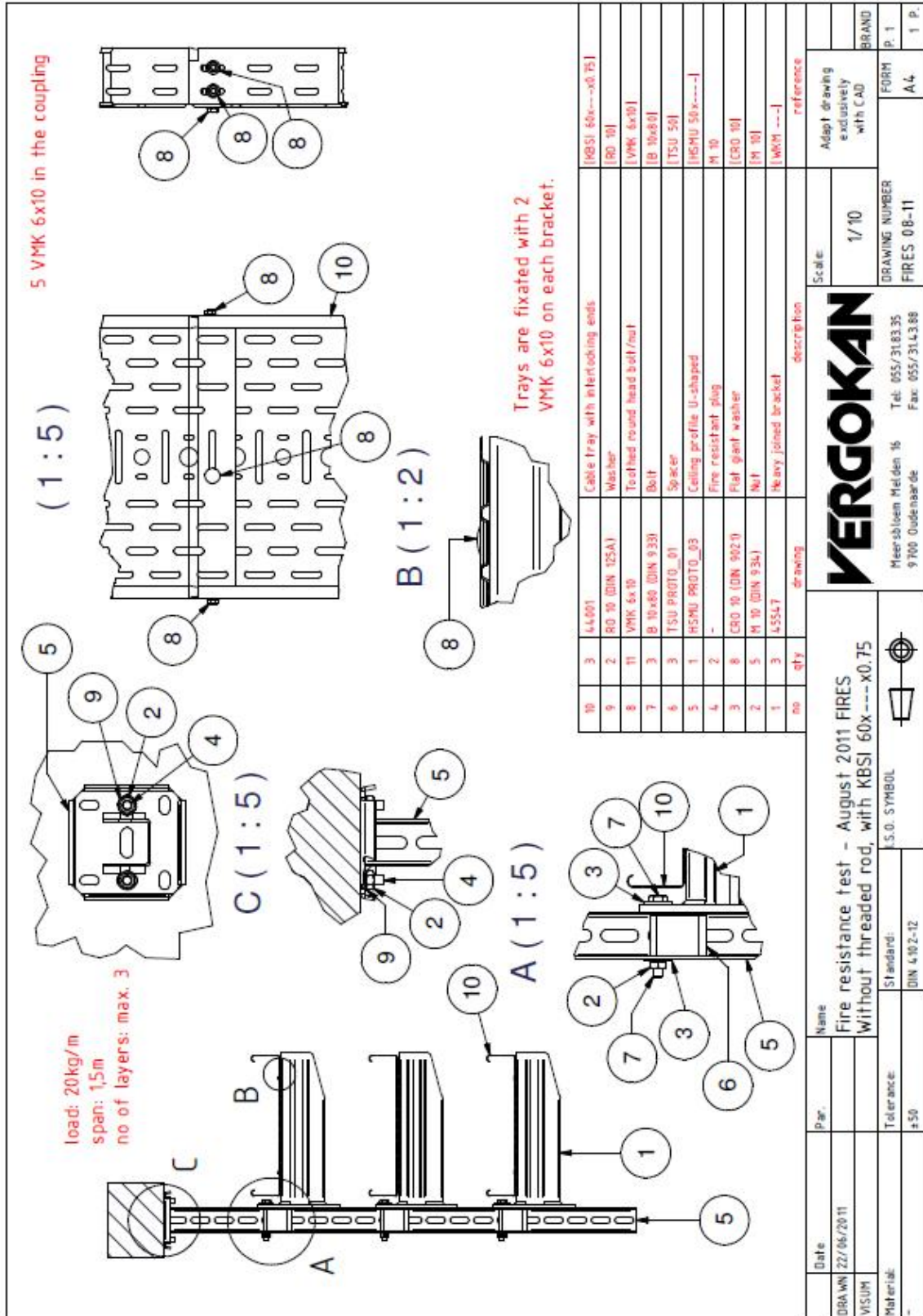
Ing. Štefan Rástocký  
leader of the testing laboratory



Signed:

Miroslav Hudák  
technician of the testing laboratory





**VERGOKAN**

Meersbloem Meiden 16  
9700 Oudehaarde  
Tel: 055/31.83.35  
Fax: 055/31.43.88

Standard:  
DIN 4102-12

Tolerance:  
±50

Date: 22/06/2011  
DRAWN: VISJIM  
Material: -

Scale: 1/10  
DRAWING NUMBER: FIRES\_08-11

Name: Fire resistance test - August 2011 FIRES Without threaded rod, with KBSI 60x---x0.75

S.O. SYMBOL

Adapt drawing exclusively with CAD  
FORM p. 1  
A4  
1 P.



Material dikte : 0.8/1/1.25

Type	Binnenmaat breedte :	Maat B			
		MD 0.8	MD 1.0	MD 1.25	MD 1.25
KBSI 60*75	73	74.6	75	75.5	75.5
KBSI 60*100	98	99.6	100	100.5	100.5
KBSI 60*150	148	149.6	150	150.5	150.5
KBSI 60*200	198	199.6	200	200.5	200.5
KBSI 60*250	248	249.6	250	250.5	250.5
KBSI 60*300	298	299.6	300	300.5	300.5
KBSI 60*350	348	349.6	350	350.5	350.5
KBSI 60*400	398	399.6	400	400.5	400.5
KBSI 60*500	498	499.6	500	500.5	500.5
KBSI 60*600	598	599.6	600	600.5	600.5

**NOT FOR PRODUCTION**

1	A	Oorspronkelijk ontwerpnummer (NF 652) 60000166 25/05/2010 05/05/2010	Materiaal Tekening aantal m.b.v. CAD aanpassen	VRIJ
		<b>MERQUAN</b> Technisch Bureau IS Tel. 055/214335 Fax. 055/214348		PLANNUMMER 44.001 / 4 / -
		FORM GS/MS / 4 / -		
		k. 12 12 p.		

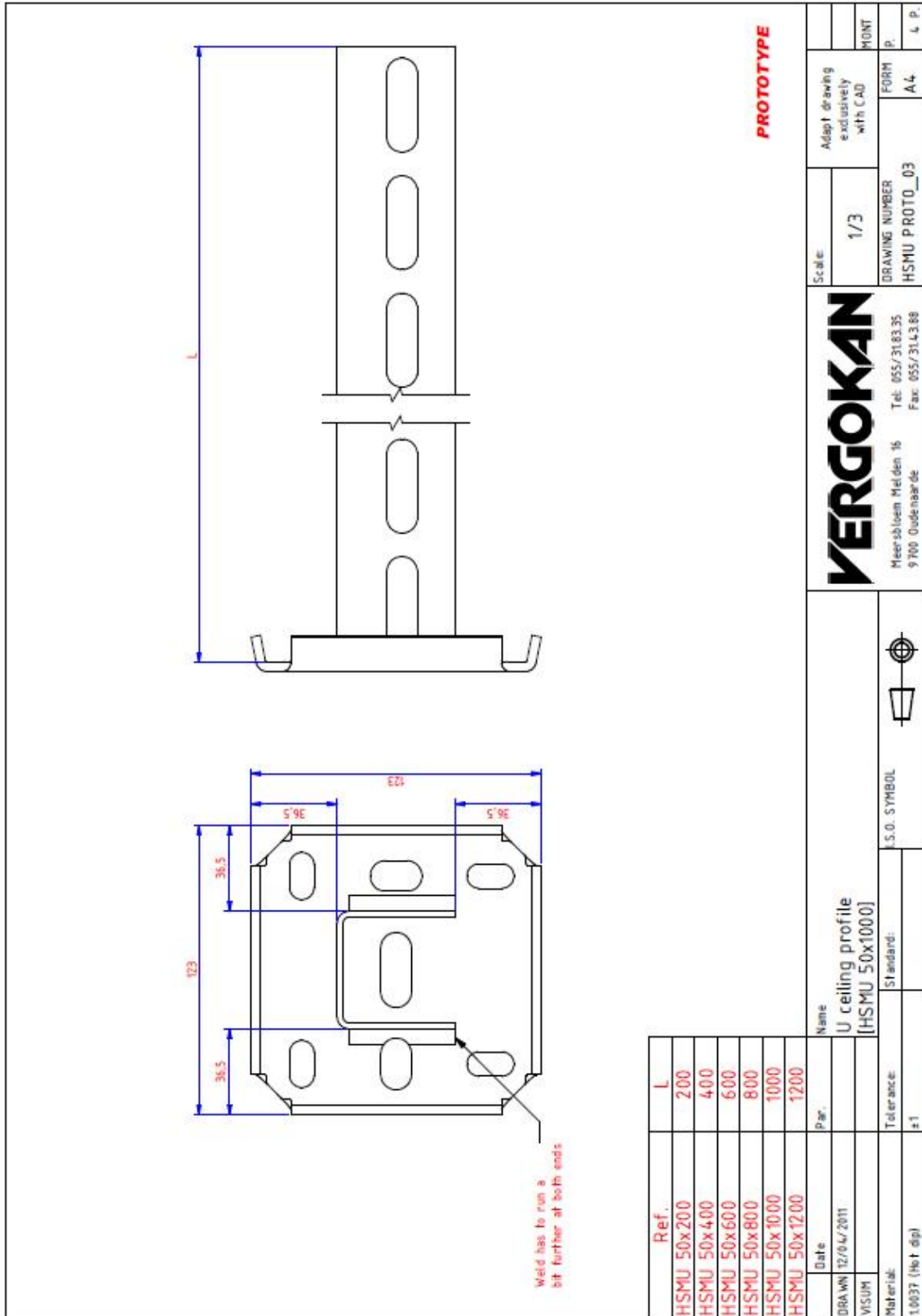
Naam	Datum	Par.	Benaming Kabelbaan ineenschrijfbaar [KBSI 60*---*---*---*---]
GET. VRIJ	03-01-08	<next>	U.S. SYMBOL
Auteursid : L.0037 (Beendhuijzen)		Toelichting : -	

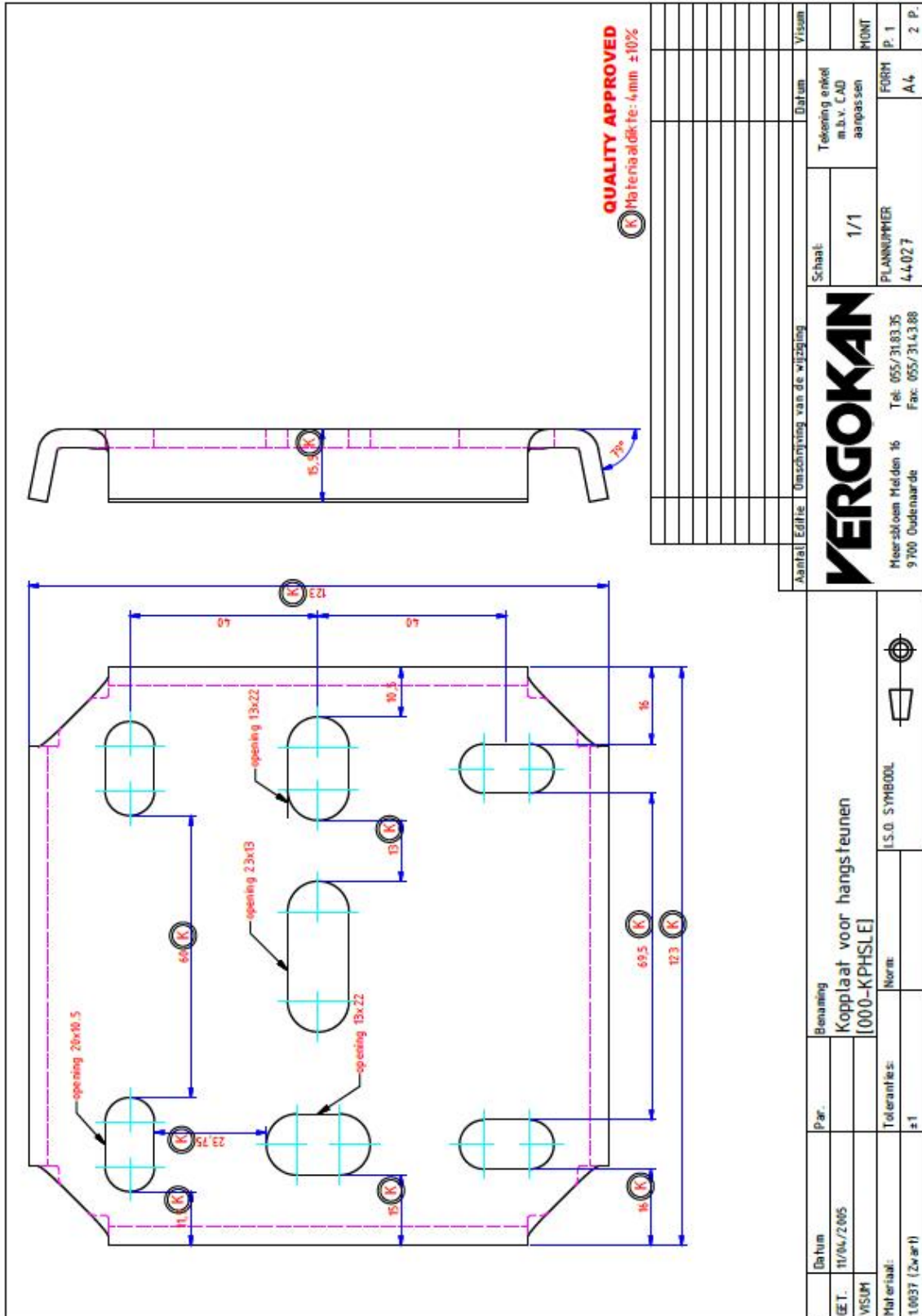


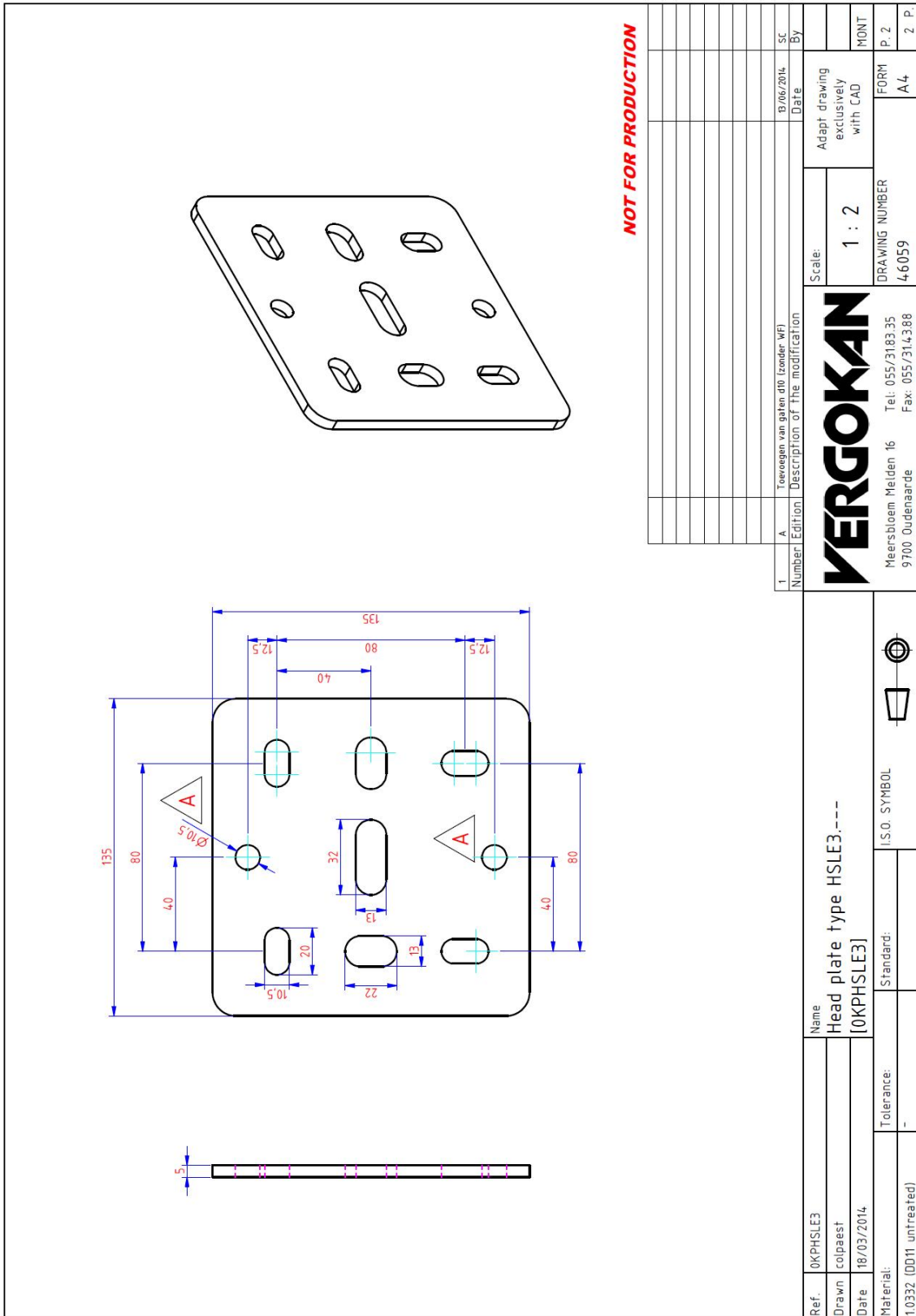
1	A	Scherptekening afschuifpatroon (NF 484) Schuifpatroon (NF 484) (05/05/2010)	05/05/2010	-	-
soort	Nr.:	omschrijving afwijking	tabak	GET.	VERM
		Schaal : 1/5	Tekenings afdel m.b.v. CAD programma's		
		PLANNUMMER 44.001	FORM GS/MS / 4 / -		
		Tel. 055/343335 Fax. 055/343338			

**NOT FOR PRODUCTION**

Naam	Par.	Datum	Par.	Benaming	Naam
GET. VERM	02-01-08	-	-	Kabelbaan ineen-schuurbaar Perforatiepatronen	U.S.A. SYMBOL
Auteursid. : 1..0037..Sensid.12.1.e		Toleranties : 0,0 - 5		-	







**NOT FOR PRODUCTION**

1	A	Toevoegen van gaten d10 (zonder Wf)	18/06/2014	SC	By
Number		Edition		Description of the modification	
				Date	
				Adapt drawing exclusively with CAD	
				FORM P.2	
				A4	
				2 P.	

**VERGOKAN**

Meersbloem Melden 16  
9700 Oudenaarde  
Tel: 055/318335  
Fax: 055/314388

Ref.	0KPHSLE3	Name	Head plate type HSLE3:---
Drawn	colpaest		[0KPHSLE3]
Date	18/03/2014		
Material:	1.0332 (0011 untreated)	Tolerance:	-
		Standard:	I.S.O. SYMBOL





**NOT FOR PRODUCTION**

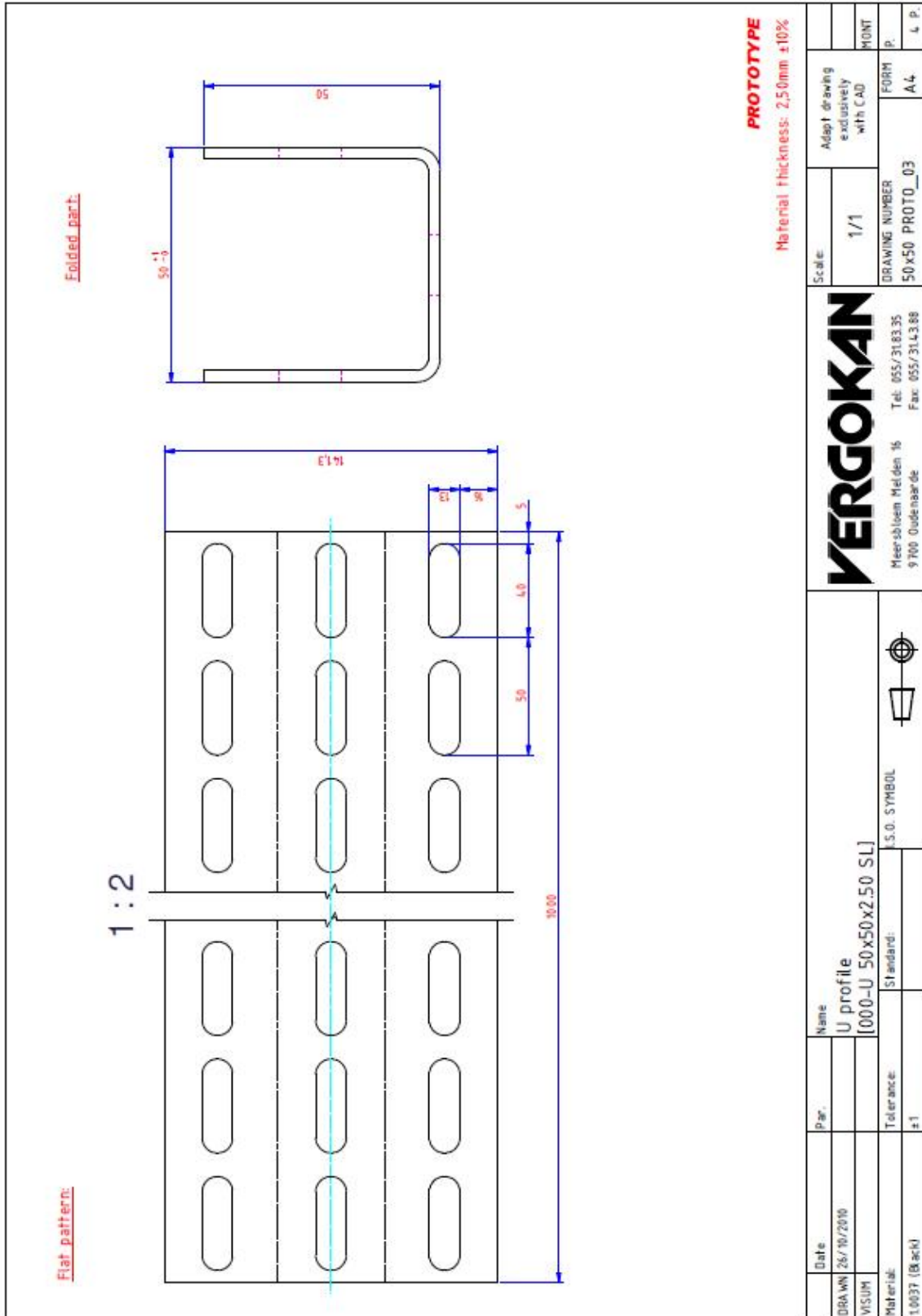
1	A	vlakke kopplaat	Description of the modification
Number		Edition	
		Date	By
		11/03/2015	notepa

Ref.	L
HDHSMU50.200	200
HDHSMU50.300	300
HDHSMU50.400	400
HDHSMU50.500	500
HDHSMU50.600	600
HDHSMU50.800	800
HDHSMU50.1000	1000
HDHSMU50.1200	1200
HDHSMU50.1500	1500

**VERGOKAN**

Meersbloem Meiden 16    Tel: 055/3183.35  
9700 Oudenaarde        Fax: 055/314.388

Name	Ceiling profile medium heavy, U shape		
	[HDHSMU50.1000]		
Drawn	Paul Note		
Date	11/04/2011		
Material	1.0332 (DD11 hot dip)		
Tolerance:	-		
Standard:	I.S.O. SYMBOL		
Scale:	1 : 2		
	Adapt drawing exclusively with CAD		
	MONT		
	FORM		
	DRAWING NUMBER		
	45732		
	A4		
	P.1		
	1 P.		

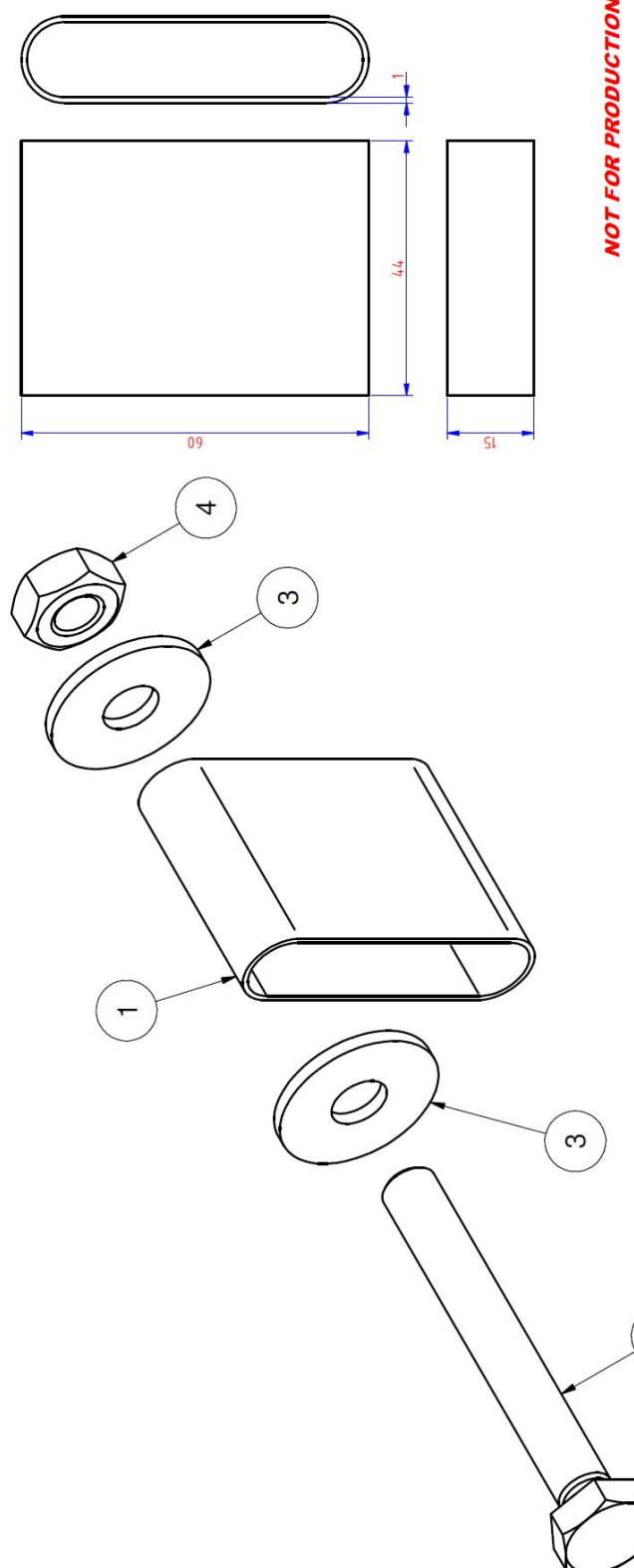




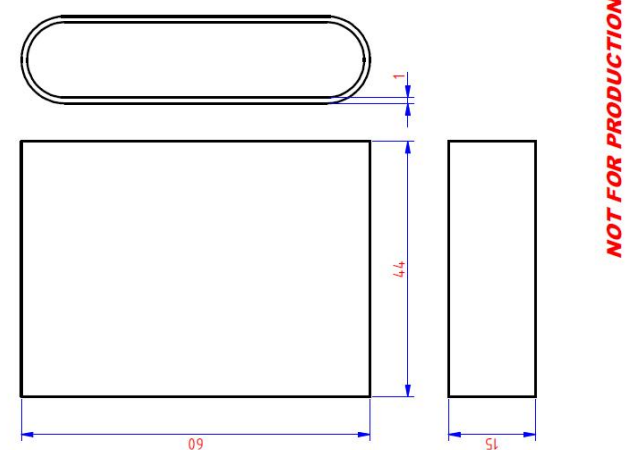
1	1	45729	[2TSU50]	TSU verzinkt
2	1	B 10x80 (DIN 933)	[HDB10.80]	HD Zeskantbout
3	2	CRO 10 (DIN 9021)	[HDCRO 10]	HD Carosserierondsel
4	1	M 10 (DIN 934)	[HDM10]	Zeskantmoer M10 (HD)
item	qty	drawing	reference	description

Parts list




**NOT FOR PRODUCTION**



Number	Edition	Description of the modification

Ref. HOTSU--	Name	Scale:	Date
Drawn Paul Note	Spacer HDHSMU 50	1 : 1	Adapt drawing exclusively with CAD
Date 15/06/2011	[HDTSU50]	DRAWING NUMBER	FORM
Material: 1.0037 (Hot-dip)	Standard:	45730	P. A4
	Tolerance: -		3 P.
	I.S.O. SYMBOL		


  
**VERGOKAN**  
 Meersbloem Meiden 16 Tel: 055/3183.35  
 9700 Oudenaarde Fax: 055/314388



1	M10x80 (DIN 933)	[B10.80]	Zeskantbout
2	M10 (DIN 9021)	[CRO10]	Carrossieronderstel
3	M10 (DIN 934)	[M10]	Zeskantmoer
4	4.5728	[TTSU50]	Spacer, HSMU 50
item	qty	drawing	reference
Parts list			

**NOT FOR PRODUCTION**

1	A	Herontwerp naar aanleiding brandtesten 2015 (zie WF HDHSMU50.000 - 21 10 2015)	27/02/2015
Number	Edition	Description of the modification	Date

<b>VERGOKAN</b>	Scale: 1 : 2	Adapt drawing exclusively with CAD
Meersbloem Meiden 16 9700 Oudenaarde	DRAWING NUMBER 45730	FORM A4
Tel. 055/3183 35 Fax. 055/314388		MONT P. 3 P.



**WKM 100 and WKM 200**

**WKM 300 and WKM 400**

**PROTOTYPE**

Ref.	H	W
WKM 100	76,3	125
WKM 200	85,0	225
WKM 300	93,8	325
WKM 400	102,5	425

Date:	Par.:	Name:	Heavy joined bracket
DRAWN 21/03/2011			[WKM 400]
VSJUM			
Material:	Tolerance:	S.O. SYMBOL:	
1.0037 (Hot dip)	±1		

<b>VERGOKAN</b>	Meersbloem Meiden 16 9700 Oudehaarde	Tel: 055/31.83.35 Fax: 055/31.43.88	
Scale:	1/5	Adapt drawing exclusively with CAD	MONT
DRAWING NUMBER	WKM FIRES_05-2011	FORM	A4
PROTTO_05			1L P.



Ref.	Head plate	Thickness head plate	Bracket	Thickness bracket	H	W
000-WKM 100	000-KPWK 300	5,00mm ±10%	000-CWKM 100	2,50mm ±10%	76,3	125
000-WKM 200	000-KPWK 400	5,00mm ±10%	000-CWKM 200	2,50mm ±10%	85,0	225
000-WKM 300	000-KPWKZ 300	8,00mm ±10%	000-CWKM 300	2,50mm ±10%	93,8	325
000-WKM 400	000-KPWKZ 300	8,00mm ±10%	000-CWKM 400	2,50mm ±10%	102,5	425

**PROTOTYPE**

Date	Name	Number	Description of the modification	Date	Visum
DRAWN 21/03/2011	Heavy joined bracket [000-WKM 100]				
VISUM					
Material:	Tolerance:				
1.0037 (Zwart)	±1				
	Standard:				
	S.S.O. SYMBOL				

**VERGOKAN**  
 Meersbloem Meiden 16  
 9700 Oudenaarde  
 Tel: 055/31.83.35  
 Fax: 055/31.43.88

Scale:	1/5	DRAWING NUMBER	FORM	P.
		WKM FIRES 05-2011	A4	14 P.
PROTO_05				